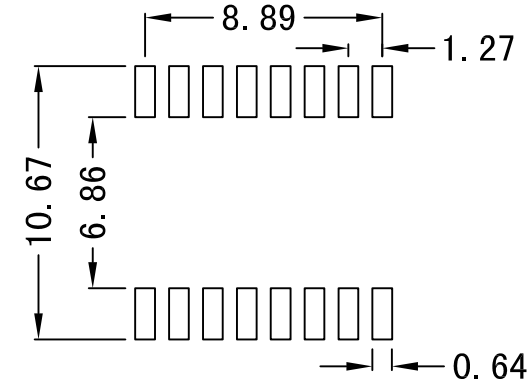
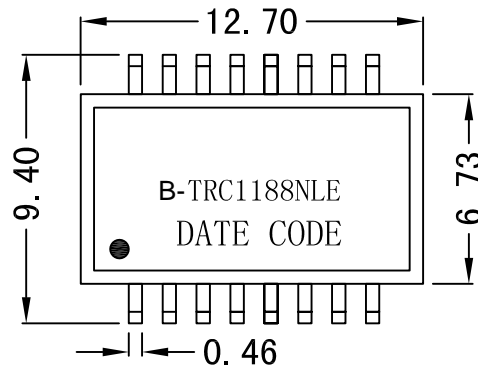
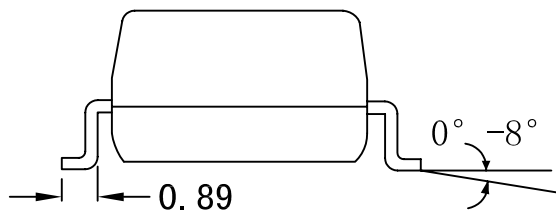
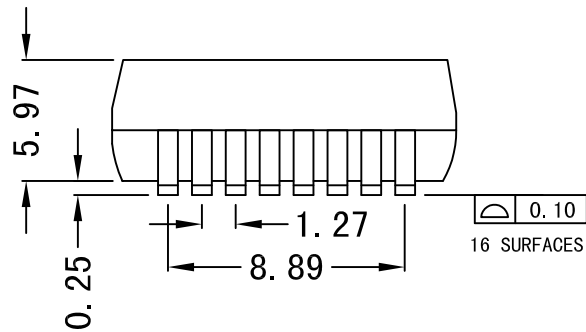


Mechanical:

| REV. | ECN NO. | DESCRIPTION | DATE | APPD |
|------|---------|-------------|------------|------|
| A | REL | | 11/09/2008 | |



SUGGESTED PAD LAYOUT



NOTES:

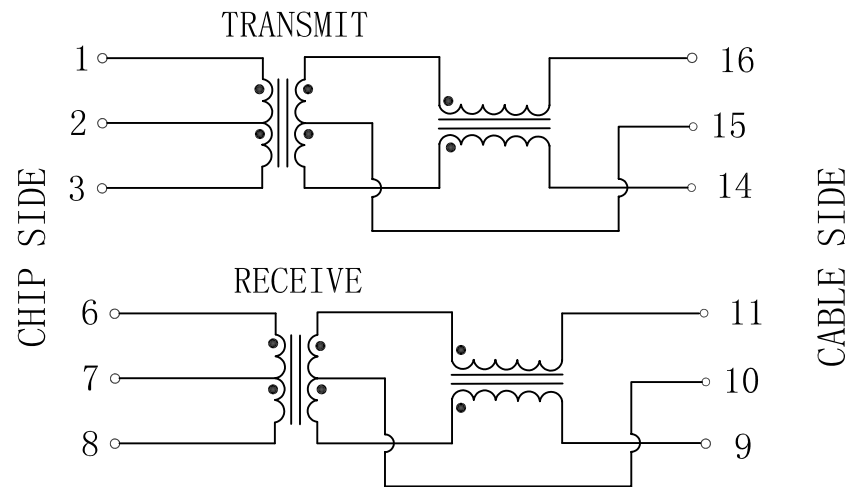
1. With various Turns Ratios.
2. Meets IEEE 802.3 and ANSI X3.263 standards, including 350uH OCL with 8mA bias.
3. For RoHS part add suffix NL
4. ROHS "NLE" peak solder rating 235°C.



| | | | |
|--------|------------|-------------|---|
| X:X | ±0.20 | APPD: | BOCON |
| X:XX | ±0.10 | CHKD: | BeiJing Bocon Automation Tech. Co., ltd |
| X:XXX | ±0.05 | DR: C. H. Y | Title: 10/100Base-T Single Port Transformer Modules |
| ANGLES | ±1° | UNIT: mm | PART NO.: B-TRC1188NLE |
| | SCALE: 2/1 | SHEET: 1/2 | REV: A DWG NO.: TRC08091104 |

Schematic:

| REV. | ECN NO. | DESCRIPTION | DATE | APPD |
|------|---------|-------------|------------|------|
| A | REL | | 11/09/2008 | |



Electrical Specifications @25°C:

- Turns Ratio($\pm 3\%$):
TX=1CT:1CT RX=1CT:1CT
- Insertion Loss:
0.1-100MHz:-1.1dB MAX
- Return Loss(dB MIN @ 100 OHM) :
30MHz:-20 60MHz:-14
80MHz:-11.5
- Crosstalk(dB MIN) :
30MHz:-45 60MHz:-40
100MHz:-35
- DCMR(dB MIN) :
30MHz:-42 60MHz:-37
100MHz:-33
- LK(AT 100KHz 0.1V) :0.5uH MAX
- CW/W(AT 100KHz 0.1V) :30pF MAX
- Hipot:1500Vrms MIN
- Operating Temperature:-40~+85°C



| | | | |
|--------|---------------|-------------|---|
| X:X | ± 0.20 | APPD: | BOCON |
| X:XX | ± 0.10 | CHKD: | BeiJing Bocon Automation Tech. Co.,ltd |
| X:XXX | ± 0.05 | DR: C. H. Y | Title: 10/100Base-T Single Port Transformer Modules |
| ANGLES | $\pm 1^\circ$ | UNIT: mm | PART NO. : B-TRC1188NLE |
| | SCALE: 2/1 | SHEET: 2/2 | REV: A DWG NO. : TRC08091104 |