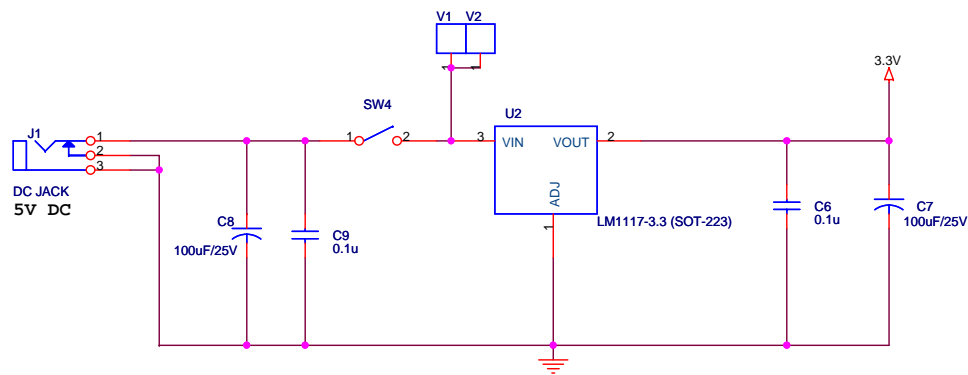
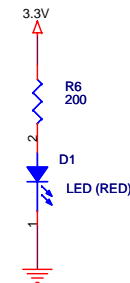
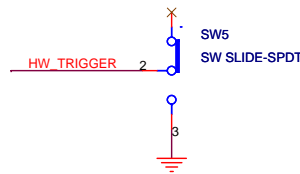
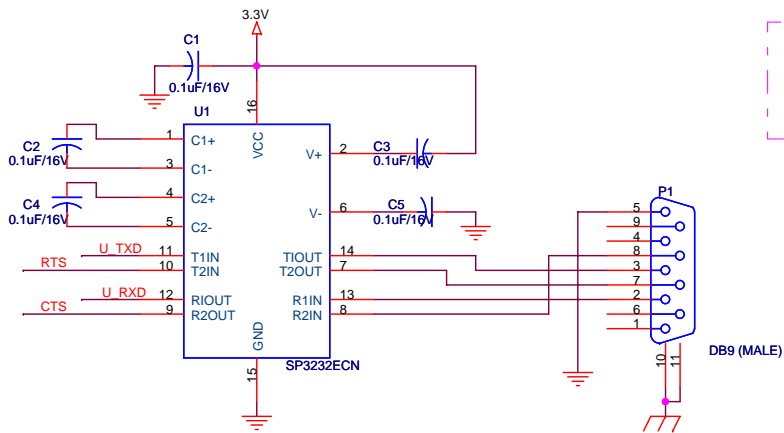


Do NOT leave the input pin(/RESET) as floating. If it is not in use, it must be pulled-up, otherwise the module may not work properly.



Title		
Serial to Ethernet EVB		
Size	Document Number	Rev
B	<Doc>	1.0
Date:	Friday, April 03, 2009	Sheet 1 of 1