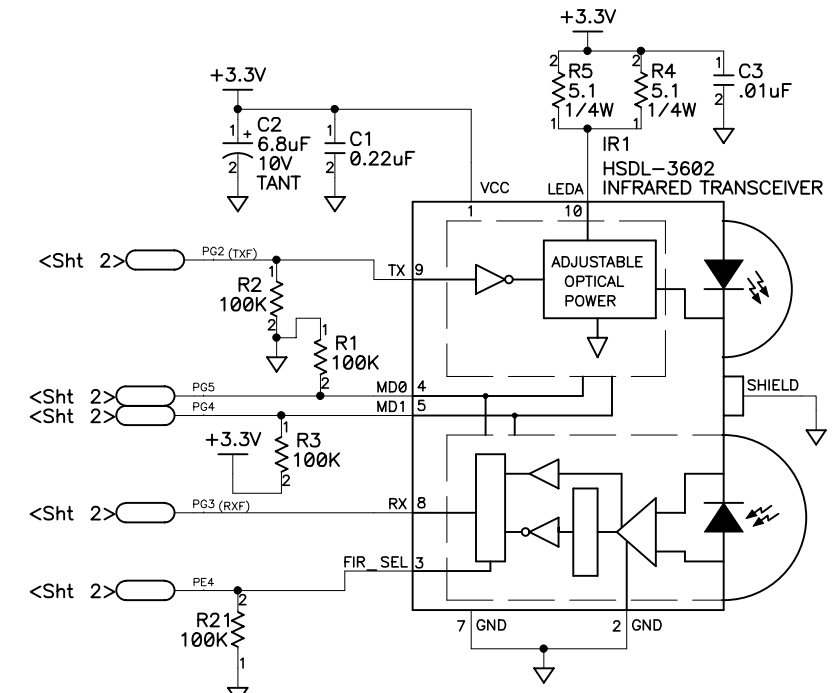
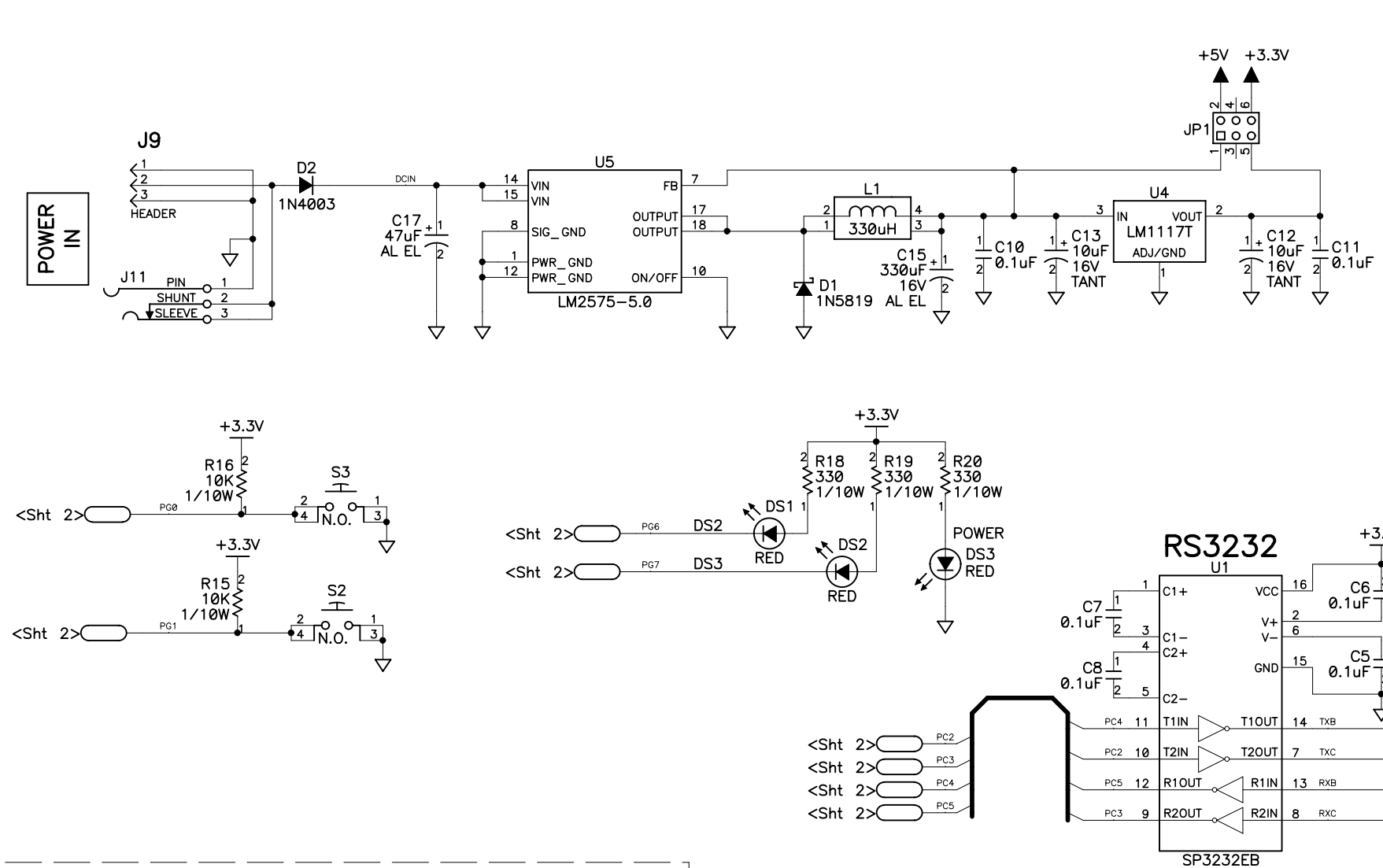
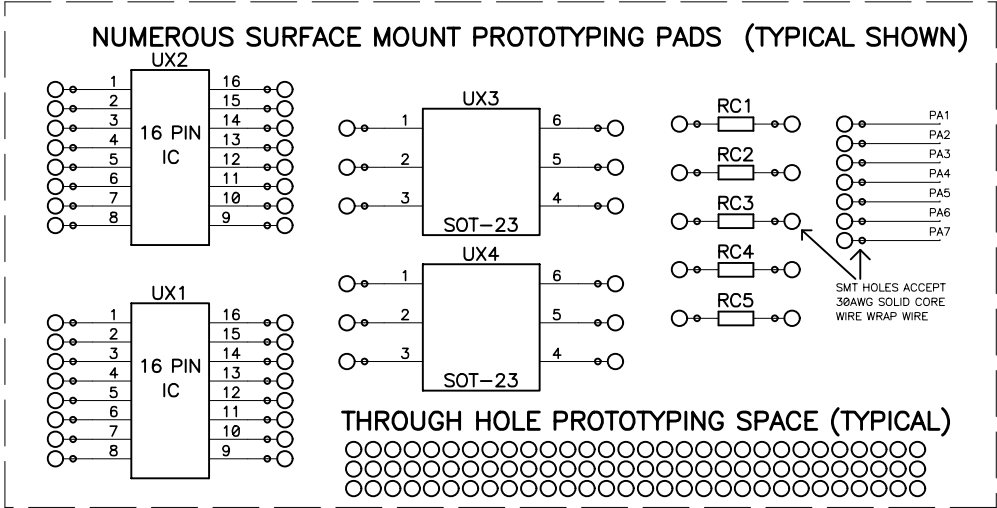


Power Table						
Ref Des	Device(Type)	Package	GND	+5V	+3.3V	Part
U1	660-0175	SO16	15		16	RS3232
U2	618-0008	SOT23-5	2,3	5		74HC08
U3	604-0245	SO20W	10	20		74HCT245
U4	661-0044	TO252	1			LM1117T
U5	661-0015	SO24W	10,8,1,12			LM2575
U6	604-0245	SO20W	16,17,15,1,10	20		74HCT245

REVISION HISTORY			REVISION APPROVAL			
REV	ECO	DESCRIPTION	PROJECT ENGINEER	APPROVAL DATE	DOCUMENT CONTROL	APPROVAL DATE
A	E11864	INITIAL RELEASE	DM	3/18/02	KIS	3/18/02
B	E11906	ADDED RN6 TO PORT A	DM	4/11/02	KIS	4/11/02
C	E12048	REVISED RABBITCORE PINOUT	DM	8/28/02	KIS	8/28/02
D	E12209	REVISED RABBITCORE REFERENCE DESIGNATORS,	DM	2/24/03	KIS	2/19/03
E	E12525	CHGD IR1; CHGD R15, R16, R18-R20, S1-S3, DS1-DS3 TO SMT				

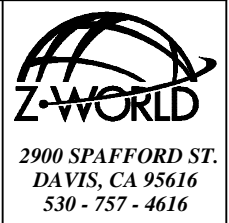


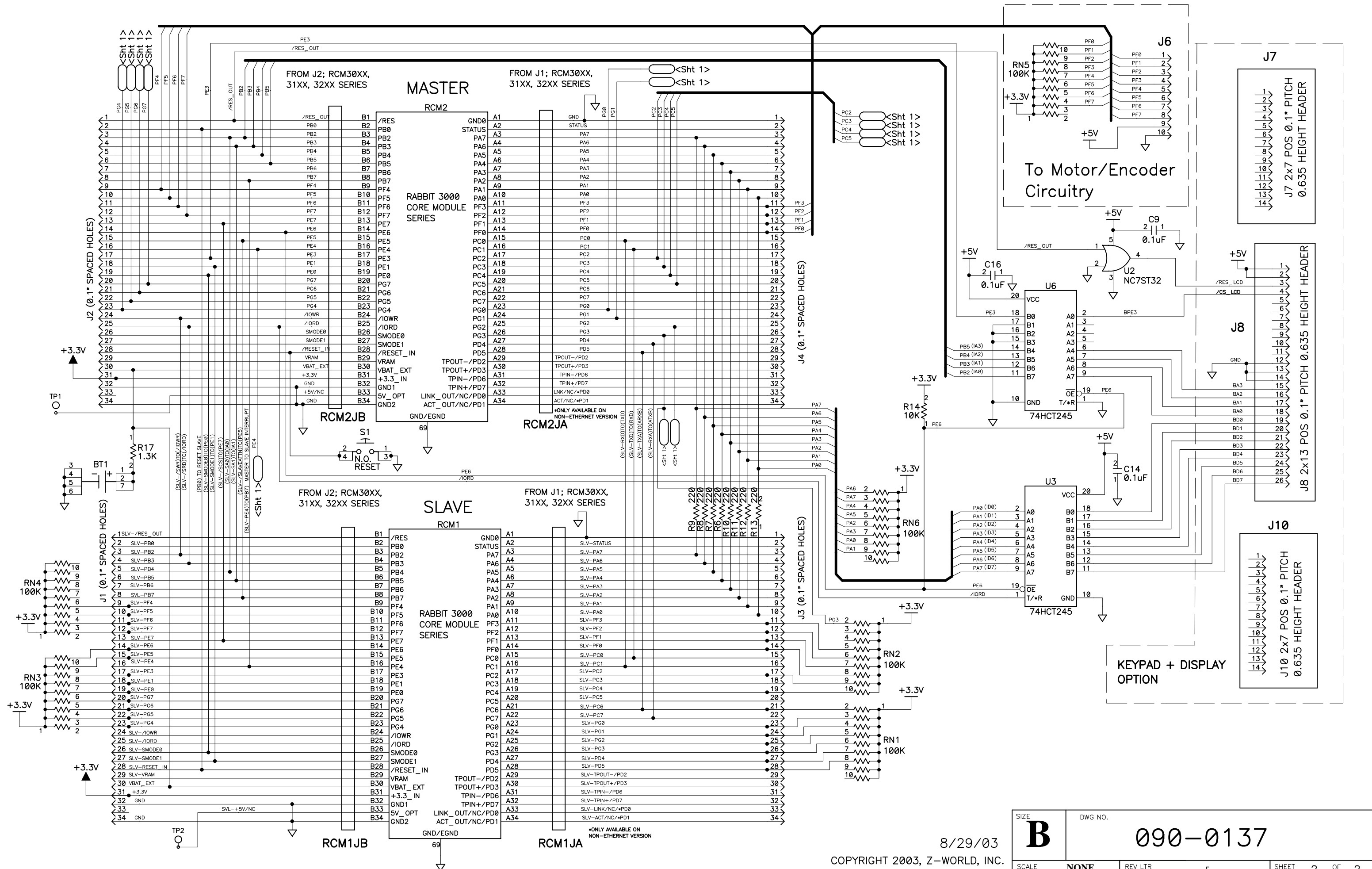
- NOTES: UNLESS OTHERWISE SPECIFIED;
1. ALL RESISTOR VALUES ARE IN OHMS, 1/10W, 5%
 2. ALL CAPACITORS ARE 50VDC OR HIGHER.
 3. THE ORIGINATOR SOURCE OF A VOLTAGE IS REPRESENTED BY (VCC), AND ALL REFERENCES TO THAT VOLTAGE ARE REPRESENTED BY (VCC).
 4. OUTLINED CIRCUIT MAY NOT BE STUFFED DEPENDING ON MODEL, SEE STUFFING CHART FOR CLARIFICATION.
 5. COMPONENT VALUES SHOWN WITH AN ASTERISK (*) FOLLOWING THE VALUE, MAY HAVE DIFFERENT VALUES, OR MAY NOT BE STUFFED DEPENDING ON MODEL.



APPEND THE FOLLOWING DOCUMENTS WHEN CHANGING THIS DOCUMENT:		DRAWING CONTENT:		TITLE	
		DRAWN BY: (INITIAL RELEASE)	03/15/02	SCHEMATIC DIAGRAM RCM30/31/32XX PROTO BOARD	
		D.MUSGROVE			
		REVISED BY:	8/29/03	SIZE B DWG NO. 090-0137	
		J. NAUER			
APPROVALS: INITIAL RELEASE					
		PROJECT ENGINEER:	3/18/02		
		D.MUSGROVE			
		ENGINEERING MANAGER:	3/19/02		
		R.MATTHEWS			
SIGNATURES		DATE		SCALE NONE	RELEASE DATE 3/19/02
				SHEET 1 OF 2	

COPYRIGHT 2003, Z-WORLD, INC.





8/29/03

COPYRIGHT 2003, Z-WORLD, INC.

SIZE B	DWG NO. 090-0137
SCALE NONE	REV LTR E
SHEET 2 OF 2	