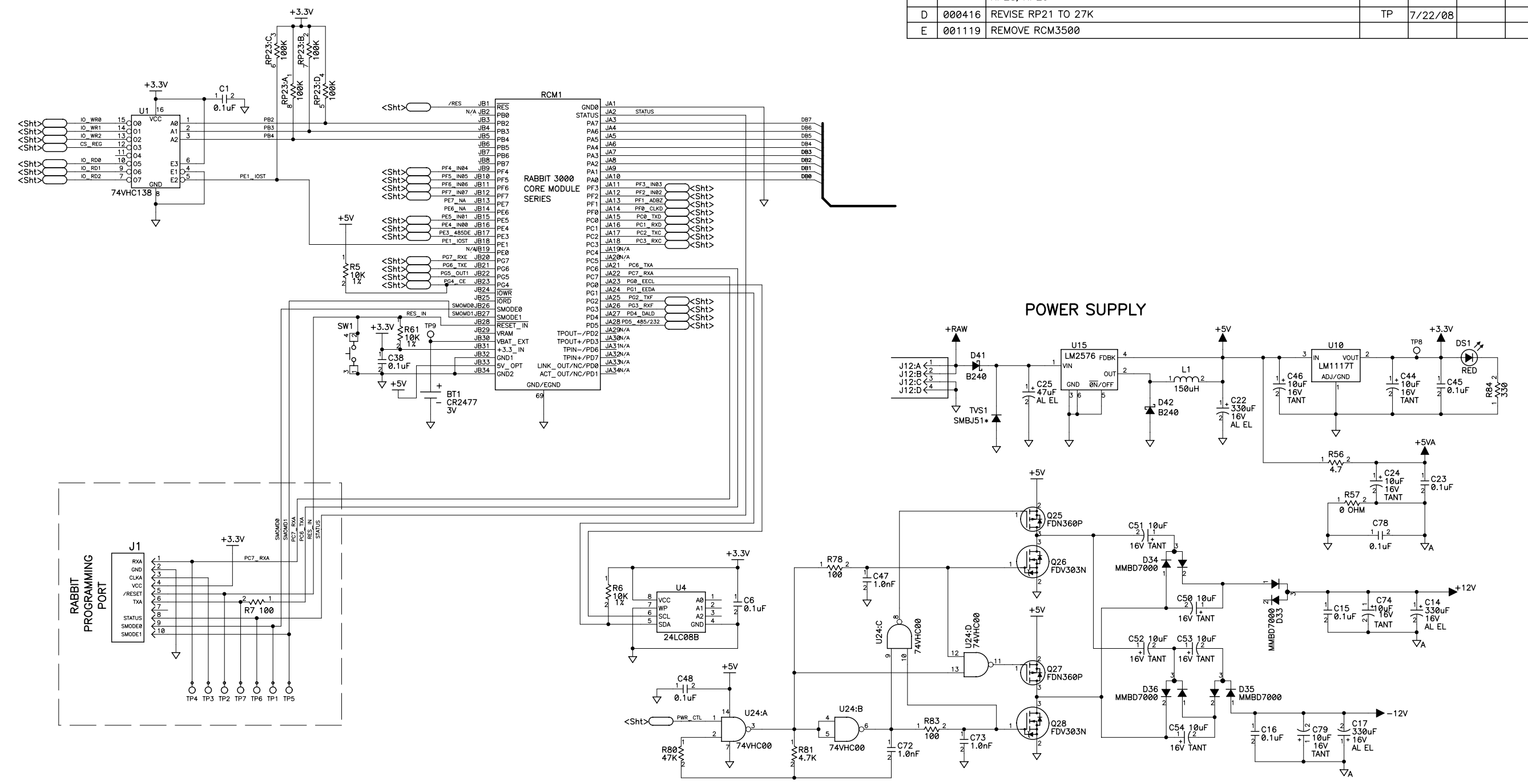


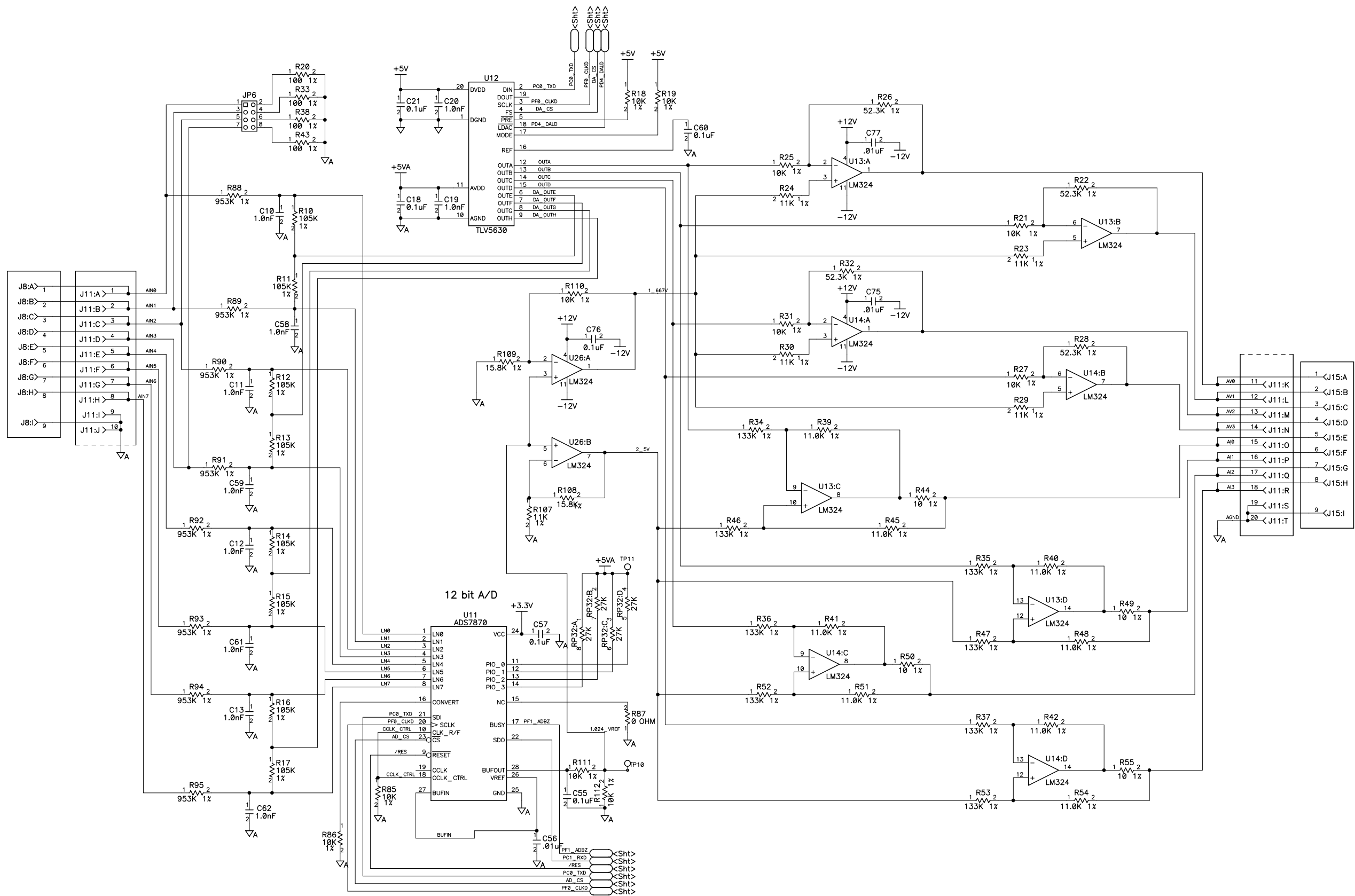
REVISION HISTORY			REVISION APPROVAL			
REV	ECO	DESCRIPTION OF CHANGE	PROJECT ENGINEER	APPROVAL DATE	DOCUMENT CONTROL	APPROVAL DATE
B	E12684	INITIAL RELEASE	JF	3/15/04	KF	3/5/04
C	E15143	REVISED, REPLACED RP21. UPDATED PART REFERENCE AT U2, U6, U19, RP28, RP29	XT	4/7/07		
D	000416	REVISE RP21 TO 27K	TP	7/22/08		
E	001119	REMOVE RCM3500				

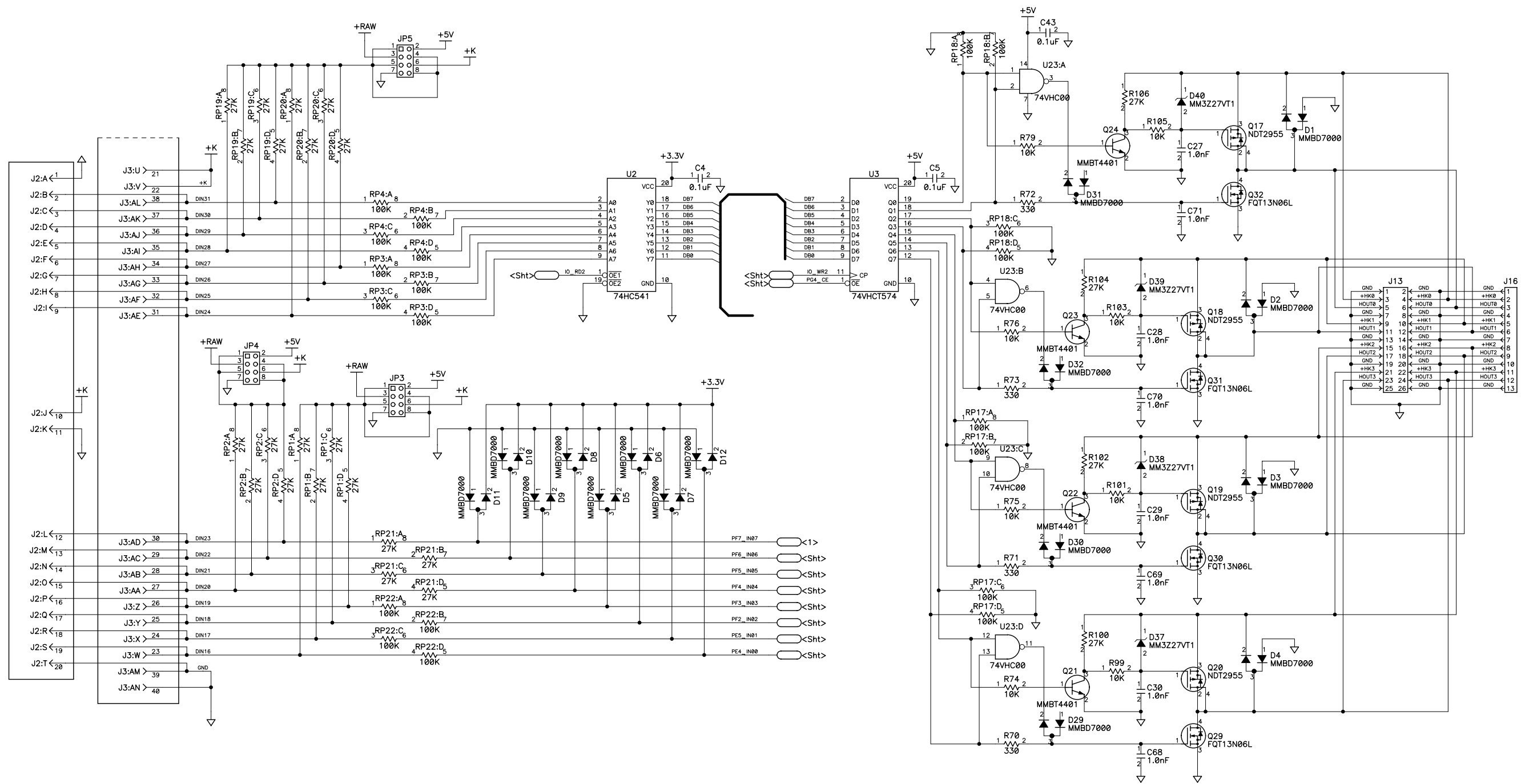


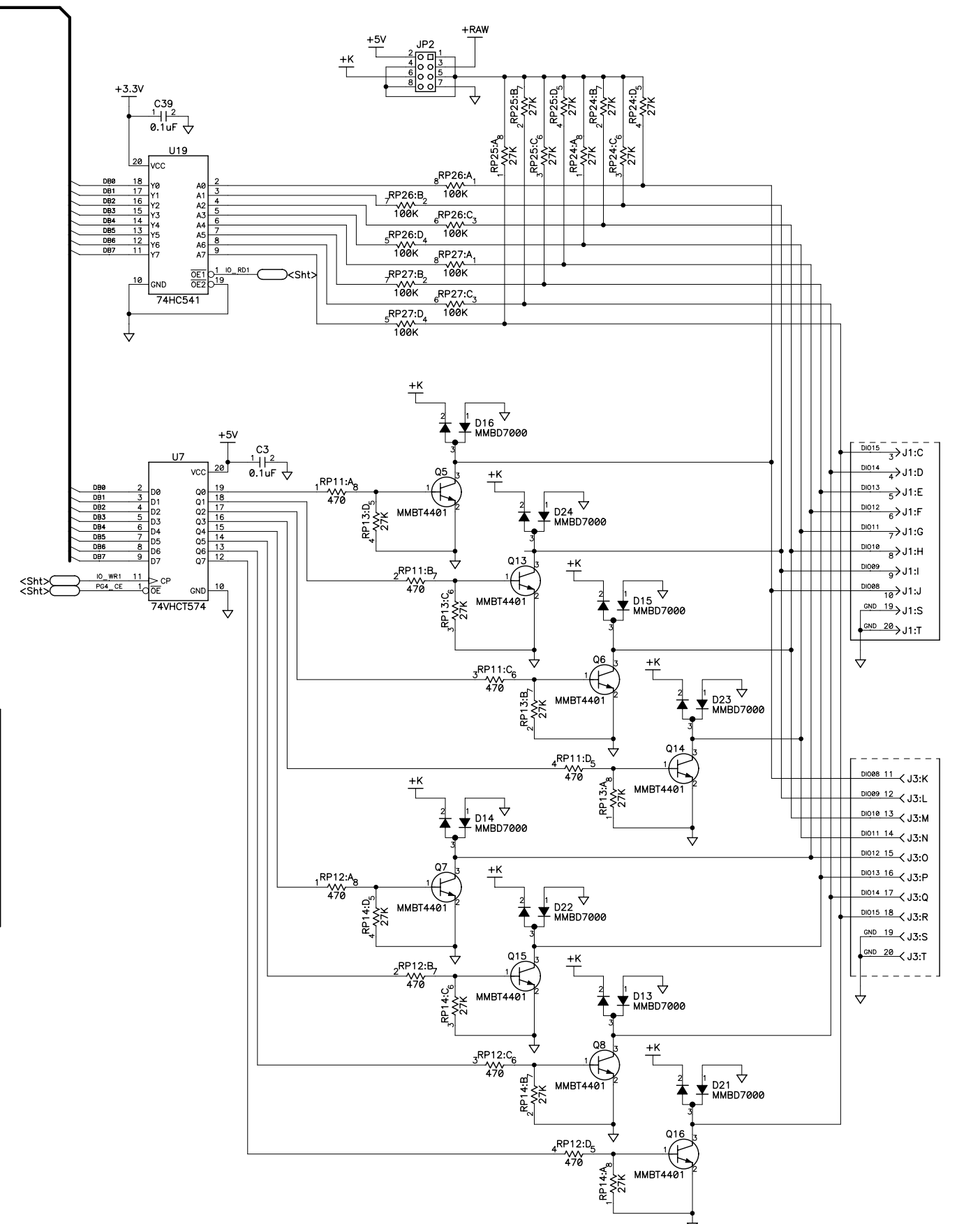
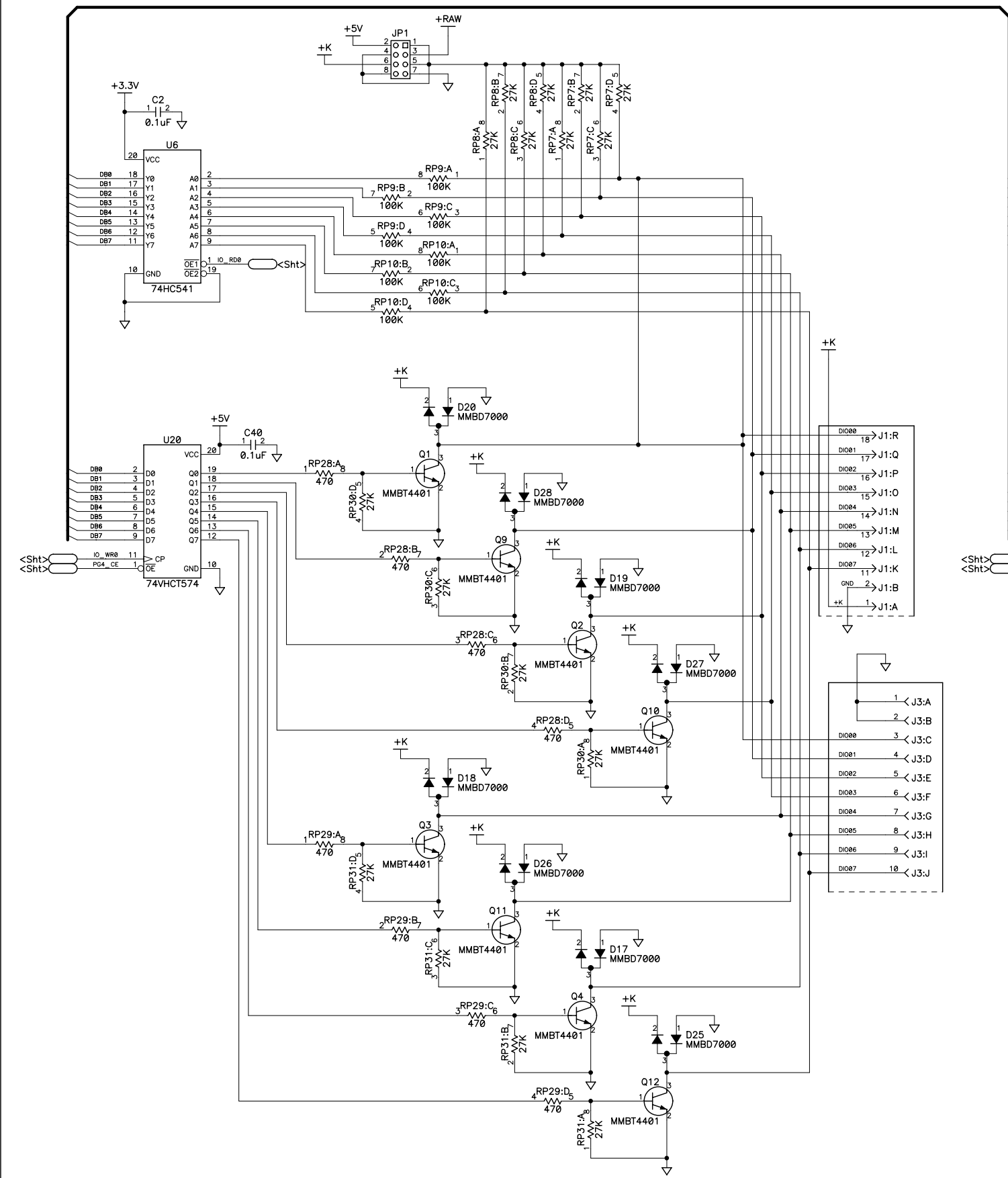
- NOTES: UNLESS OTHERWISE SPECIFIED;
- ALL RESISTOR VALUES ARE IN OHMS, 1/16W, 5%
  - ALL CAPACITORS ARE 16VDC OR HIGHER.
  - THE ORIGIN SOURCE OF A VOLTAGE IS REPRESENTED BY (VCC), AND ALL REFERENCES TO THAT VOLTAGE ARE REPRESENTED BY (VCC).
  - OUTLINED CIRCUIT MAY NOT BE STUFFED DEPENDING ON MODEL, SEE STUFFING CHART FOR CLARIFICATION.
  - COMPONENT VALUES SHOWN WITH AN ASTERISK (\*) FOLLOWING THE VALUE, MAY HAVE DIFFERENT VALUES, OR MAY NOT BE STUFFED DEPENDING ON MODEL.

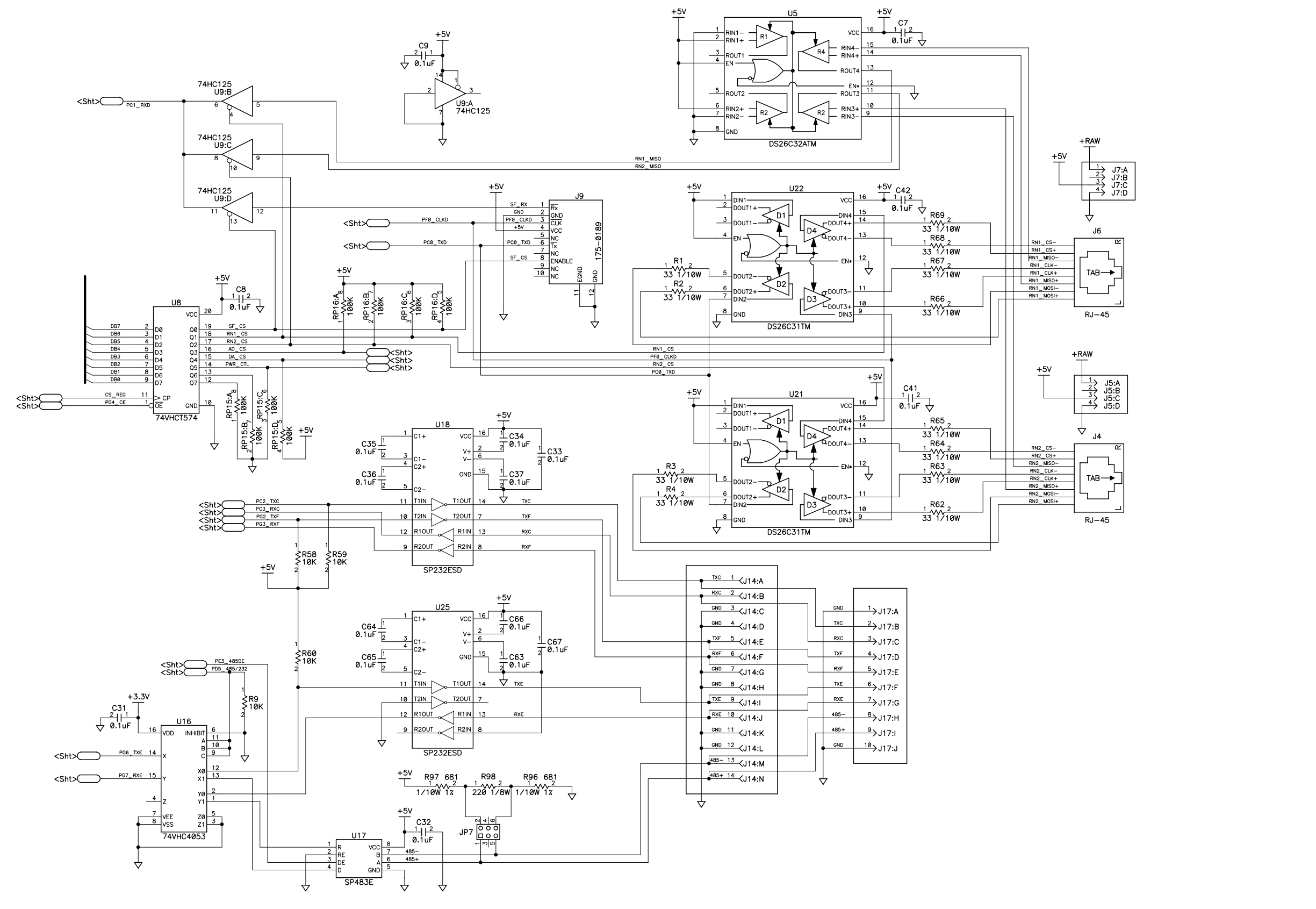
APPEND THE FOLLOWING DOCUMENTS WHEN CHANGING THIS DOCUMENT:		DRAWING CONTENT:		TITLE		RABBIT SEMICONDUCTOR
		DRAWN BY: (INITIAL RELEASE)	J. FENG	1/30/04	SCHEMATIC DIAGRAM BL2600	
		REVISED BY:	J. NAUER	4/23/09		
		APPROVALS: INITIAL RELEASE				
		PROJECT ENGINEER:	J. FENG	3/15/04	SIZE	DWG NO. 090-0195
		ENGINEERING MANAGER:	XUAN TRUONG	7/22/08	C	
		SIGNATURES	DATE	SCALE	NONE	RELEASE DATE
						SHEET 1 OF 5

www.rabbit.com









SIZE	DWG NO.
<b>C</b>	<b>090-0195</b>
SCALE	REV LTR
NONE	
SHEET	OF
5	5