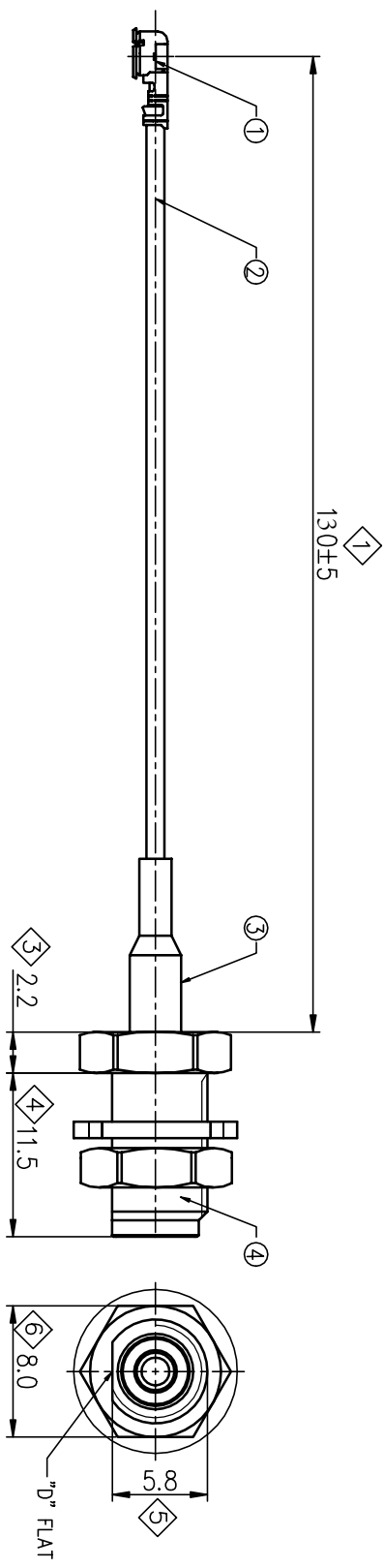


UNLESS OTHERWISE NOTED, THIS DOCUMENT CONTAINS EXCELTEC CONFIDENTIAL INFORMATION. REPRODUCTION, USE, DISCLOSURE OR TRANSMITTAL OF ALL OR ANY PART OF THIS DOCUMENT IS PROHIBITED EXCEPT TO THE EXTENT APPROVED IN WRITING BY AN AUTHORIZED REPRESENTATIVE OF EXCELTEC. EXCELTEC RESERVES ALL RIGHTS UNDER PATENTS, TRADEMARKS, COPYRIGHTS AND TRADE SECRETS. COPYRIGHT © EXCELTEC, 2007. ALL RIGHTS RESERVED.

THE COMPONENT(S), INCLUDING ANY PLATING OR COATINGS, SUPPLIED PER THIS DRAWING MUST BE COMPLIANT WITH EU DIRECTIVE 2002/95/EC (ROHS DIRECTIVE)

REV. #		EN#		DESCRIPTION		CHNGD BY/ DATE	
SA	N/A	N/A	N/A	FIRST RELEASE FOR SAMPLE BUILD		Evon	2008.03.07



J1
UFL SERIES MICRO
COAXIAL CONNECTOR

J2
SMA BULKHEAD
JACK CONNECTOR

- NOTES:
- 1) CABLES ASSEMBLY TO BE 100% TESTED FOR CONTINUITY, SHORTS AND OPENS;
 - 2) FREQUENCY RANGE : 2.4~5 GHz;
 - 3) VSWR: 1.5 MAX UP TO 5GHz;
 - 4) INSERTION LOSS: 1.3 DB MAX;
 - 5) NOMINAL IMPEDANCE: 50 OHM;
 - 6) VOLTAGE RATING : 250 Vrms;
 - 7) WITHSTANDING VOLTAGE: AC 300Vrms;
 - 8) DURABILITY: 50 CYCLES
 - 9) TEMPERATURE RANGE: -40c~+80c;
 - 10) MATERIALS USED SHOULD BE ROHS COMPLIANT.

ITEM	NAME	MATERIAL	QTY
④	CONNECTOR2	SMA BULKHEAD JACK CONNECTOR FOR Ø1.13 CABLE,GOP P/N:SZ12003-020G2000,OR EQUIVALENCE	1PC
③	SHRINK TUBING	Ø2.5mm BULK SHRINK TUBING L=15mm	1SET
②	CABLE	Ø1.3mm COAXIAL CABLE INNER CONDUCTOR:SILVER PLATED COPPER WIRE; INSULATOR:PEP; OUTER CONDUCTOR:SILVER PLATED COPPER WIRE; JACKET:GRAY FEP.	1PC
①	CONNECTOR1	UFL SERIES MICRO COAXIAL CONNECTOR PLUG VERTICAL FOR 1.13 COAXIAL CABLE I-PEX P/N:20278-111R-13	1PC
		BILL OF MATERIAL	

THIRD ANGLE PROJECTION		DRAWING APPROVAL	
		DWN: Betty	CUS: Evon
TOLERANCES UNLESS OTHERWISE SPECIFIED		CHKD: Evon	EXK P/N: N/A
ONE PLACE DECIMAL .X	±0.5	APPD: Kim	CUS P/N: SMA B
TWO PLACE DECIMAL .XX	±0.1	SIZE: A4	ITEM: SMA BULKHEAD FEMALE FOR 1.13 CABLE ASSEMBLY
THREE PLACE DECIMAL .XXX	N/A	UNIT: mm	
HOLE DIA. VARIATION .XX	N/A	SCALE: — : —	SHEET: 1 OF 1
ANGULAR DIMENSION (ENG)	N/A		CUS REV: N/A
			EXC REV: SA