

1

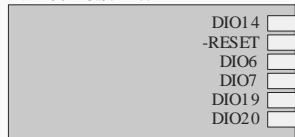
2

3

4

JN51XX&SHTXX

EWB-3612G.SchDoc



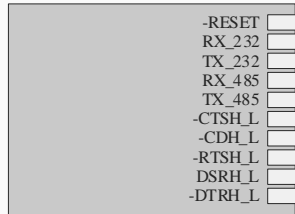
POWER&RESET

EWB-3612B.SchDoc

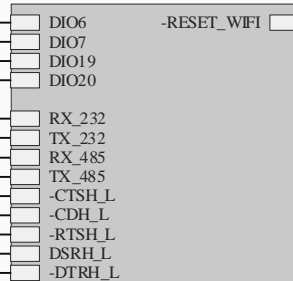


RS232&RS485

EWB-3612D.SchDoc

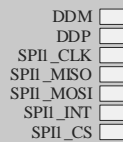
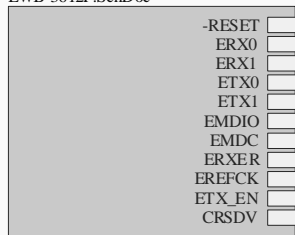


U_EWB-3612C
EWB-3612C.SchDoc



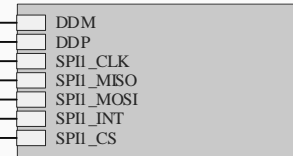
RMII

EWB-3612F.SchDoc



SPI&USB

EWB-3612E.SchDoc



REVISION HISTORY			REVISION APPROVAL			
REV	ECO	DESCRIPTION	PROJECT ENGINEER	APPROVAL DATE	DOCUMENT CONTROL	APPROVAL DATE

COPYRIGHT 2008.Beijing Boccn Tech. CO., Ltd.

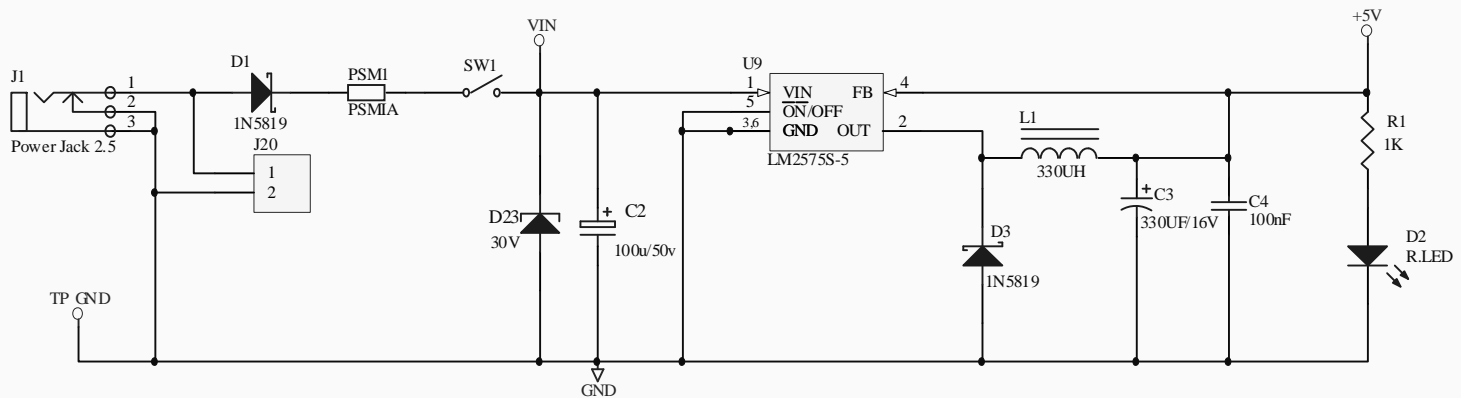
APPEND THE FOLLOWING APPDOCUMENTS WHEN CHANGING THIS DOCUMENT:		DRAWING CONTENT:		TITLE		BOCCN 博讯科技
Li Guiqin	li@bocon.com.cn	DRAWN BY: Changxizheng	2009/01/13	DK-360		
Liukai	lk@bocon.com.cn	REVISD BY: LiuKai		SIZE A4	DWG NO.	
Changxizheng	cxz@bocon.com.cn	APPROVALS:INTIAL RELEASE				
		PROJECT ENGINEER:				
		ENGINEER MANAGER:		SCALE	RELEASE DATE	SHEET 1 OF 7
		SIGNATURES	DATE			

1

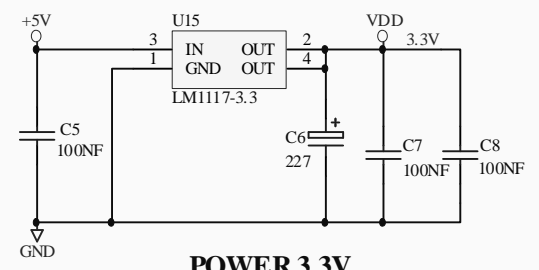
2

3

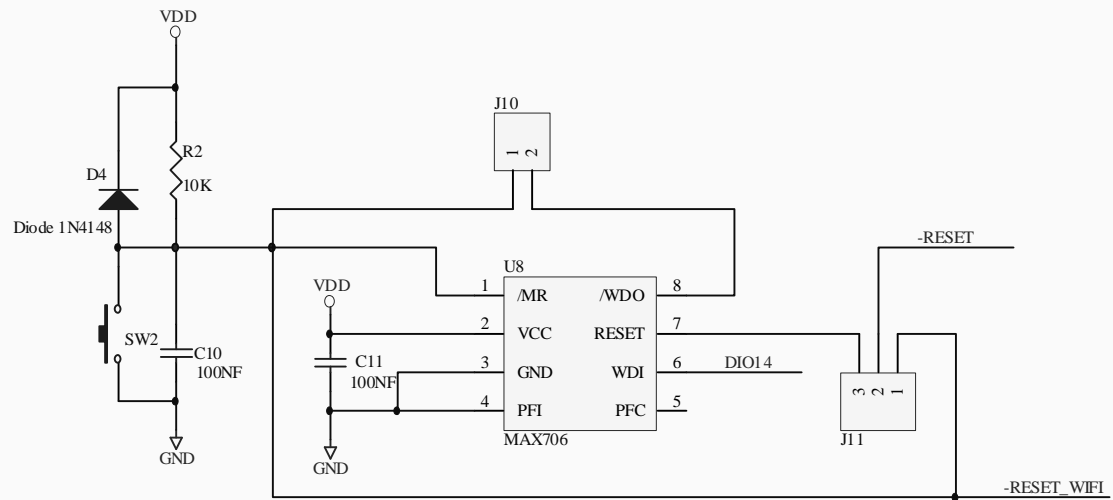
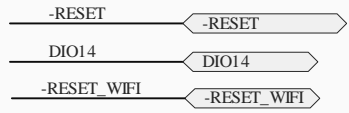
4



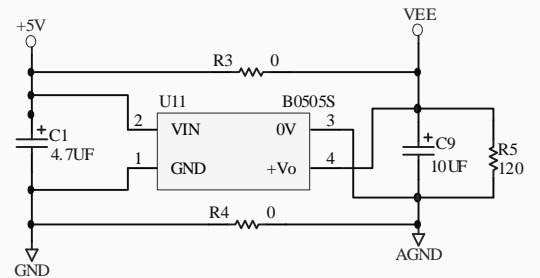
POWER 5.0V



POWER 3.3V

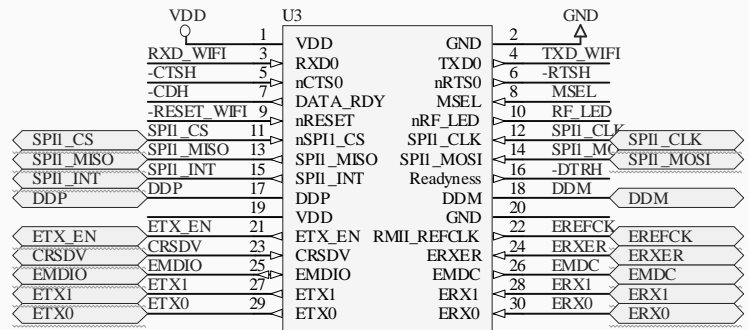
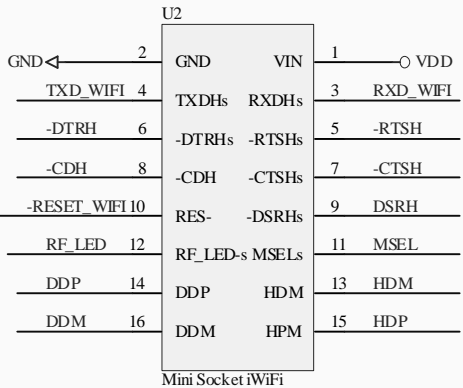
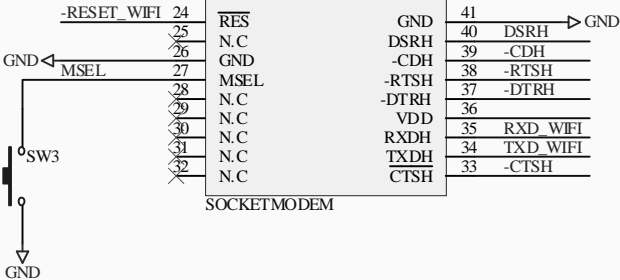
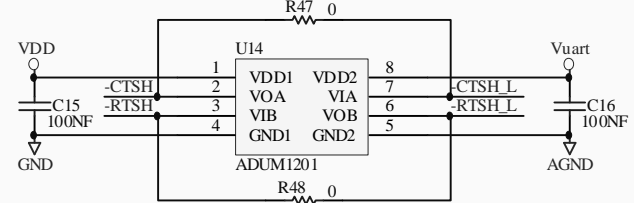
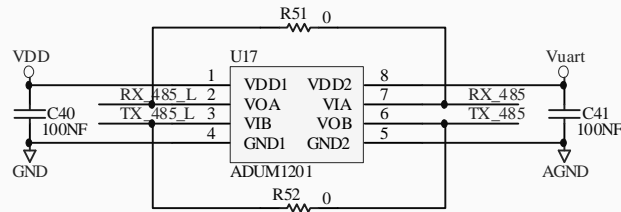
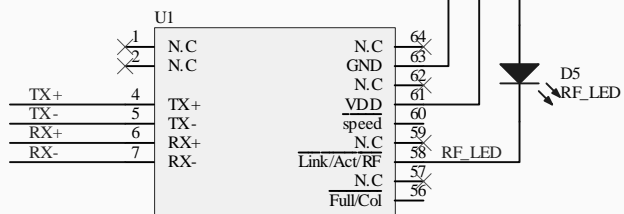
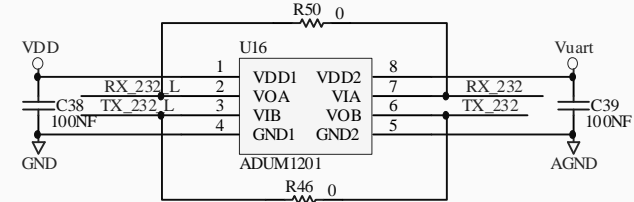
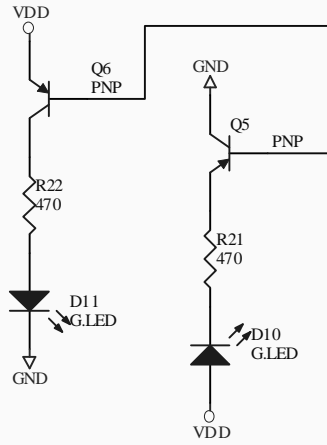
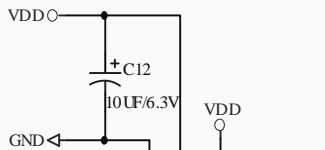
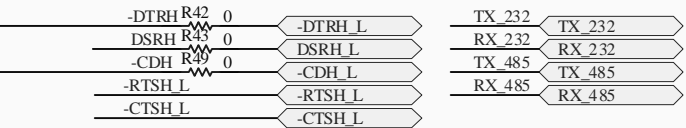
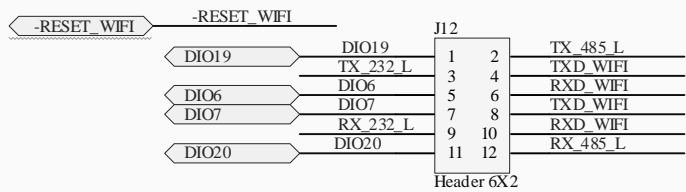


WATCHDOG+RESET



COPYRIGHT 2009.Beijing Boccn Tech. CO., Ltd.

Title		
POWER(5v+3.3v) & RESET		
Size	Number	Revision
A4	EWB-36X-V1-2	
Date:	2009-7-14	Sheet 2 of 7
File:	E:\EWB-360\EWB-3612(E)\EWB-3612B.SchDocn By: Changxizheng	



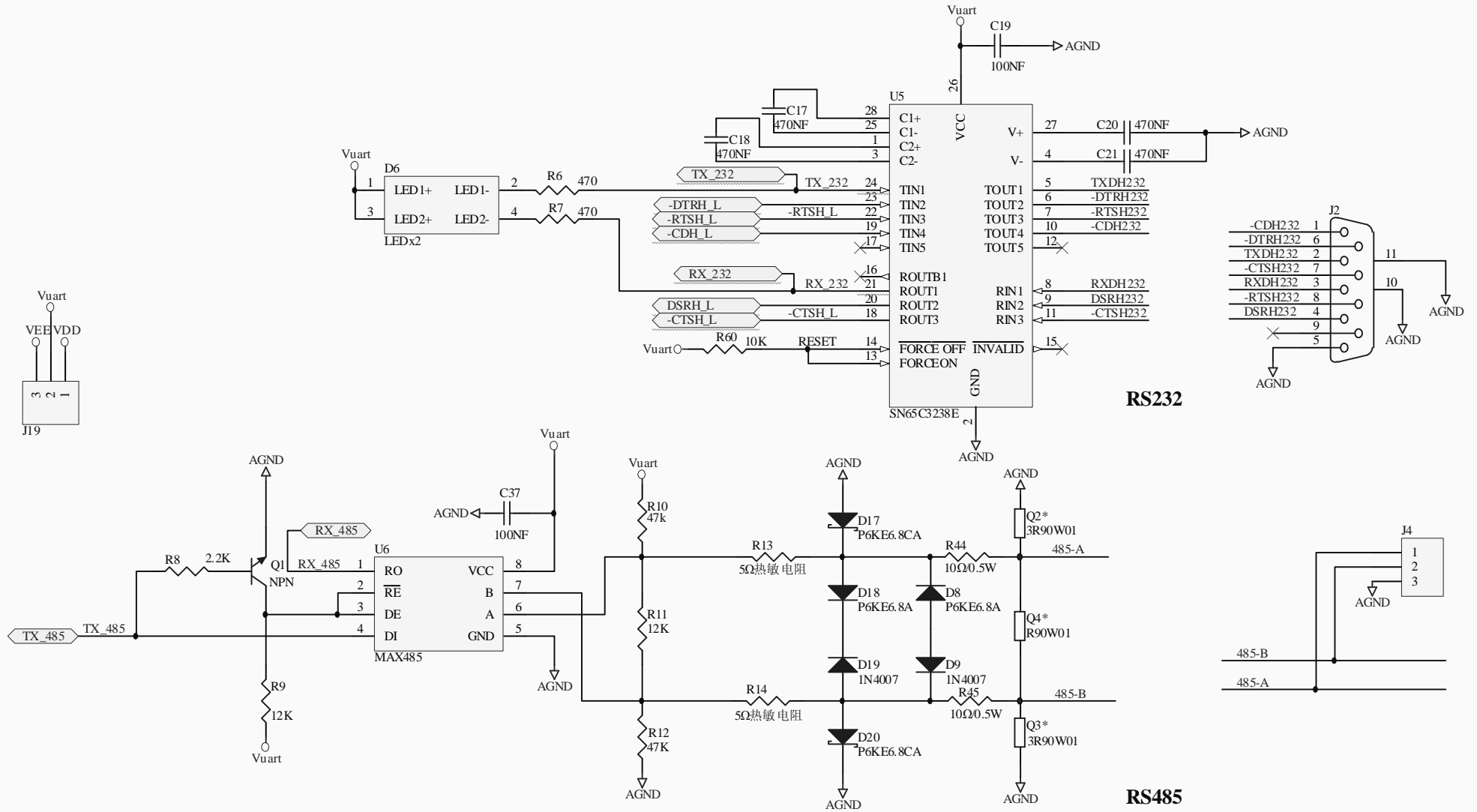
Secure Socket iWiFi

Mini Socket iWiFi

Nano WiReach

COPYRIGHT 2008.Beijing Bocnc Tech. CO., Ltd.

Title		
Secure Socket iWiFi + Mini Socket iWiFi + Nano WiReach		
Size	Number	Revision
A4	EWB-36X-V1-3	
Date:	2009-7-14	Sheet 3 of 7
File:	E:\EWB-360\EWB-3612(E)\EWB-3612C.SchDocn By: Changxizheng	

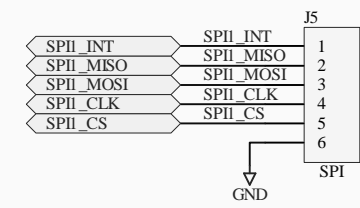
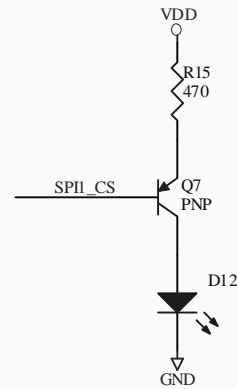


RS232

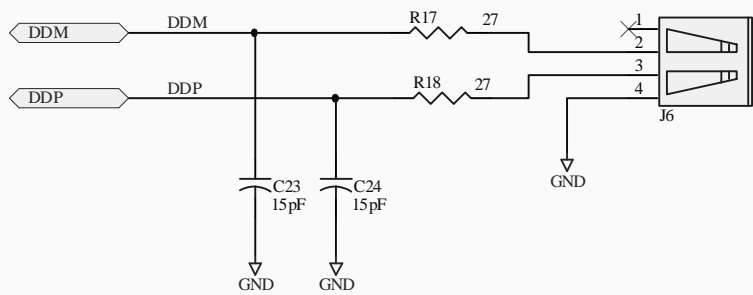
RS485

COPYRIGHT 2008.Beijing Bocn Tech. CO., Ltd.

Title		
RS232 + RS485		
Size	Number	Revision
A4	EWB-36X-V1-4	
Date:	2009-7-14	Sheet 4of 7
File:	E:\EWB-360(EWB-3612(E),EWB-3612D, Schematic By: Changxizheng	



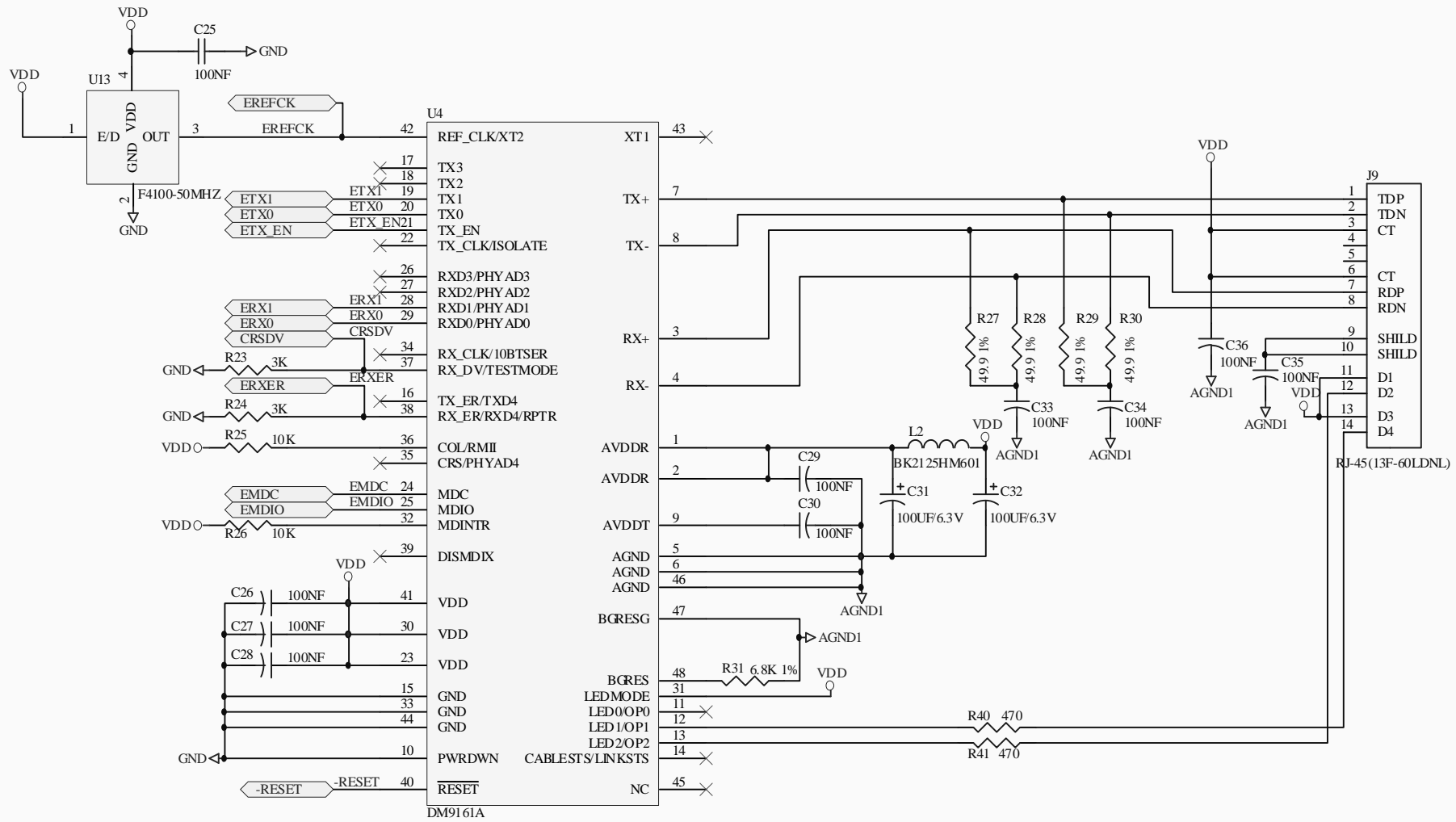
SPI



USB DEVICE

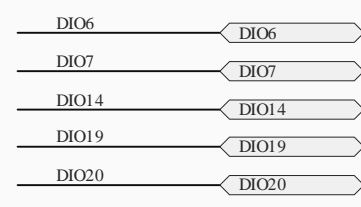
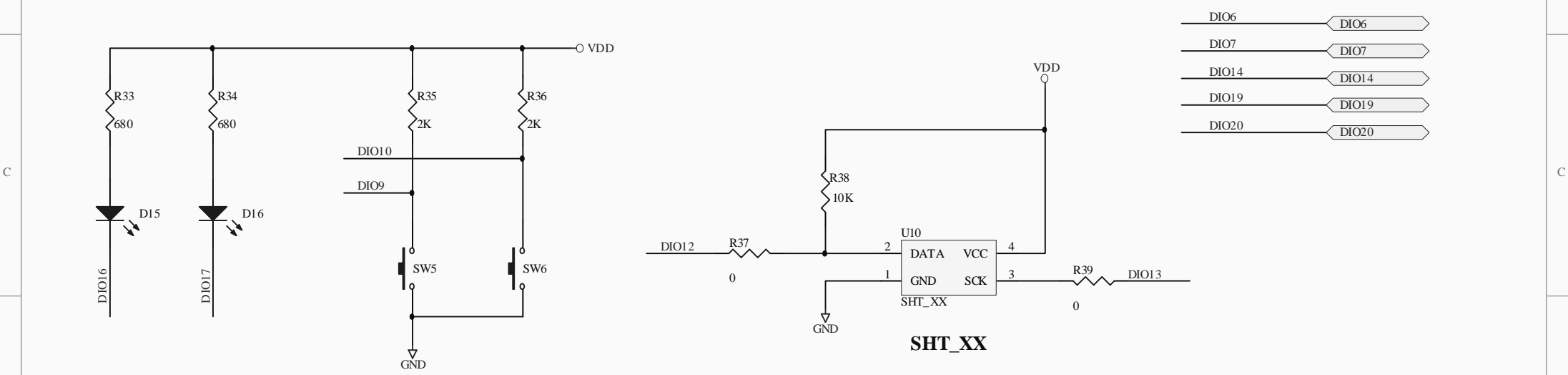
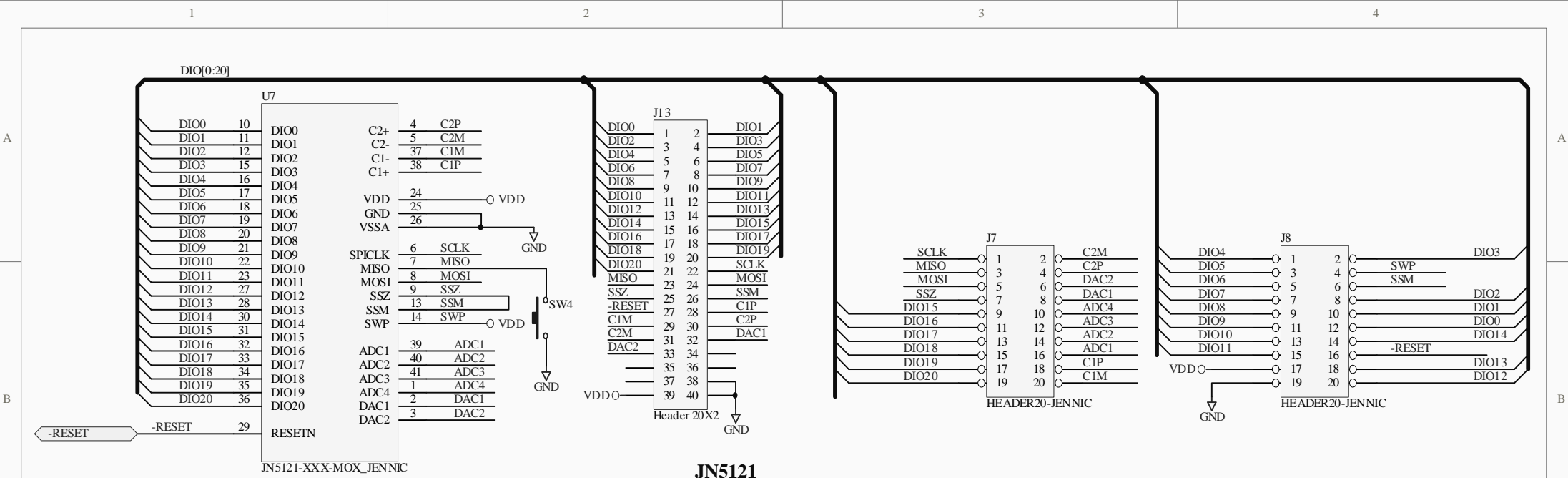
COPYRIGHT 2008.Beijing Bocen Tech. CO., Ltd.

Title		
SPI + USB		
Size	Number	Revision
A4	EWB-36X-V1-5	
Date:	2009-7-14	Sheet 5 of 7
File:	E:\EWB-360\EWB-3612(E)\EWB-3612E.SchDocn By: Changxizheng	



COPYRIGHT 2008.Beijing Bocnn Tech. CO., Ltd.

Title		
RMI interface		
Size	Number	Revision
A4	EWB-36X-V1-6	
Date:	2009-7-14	Sheet 6of 7
File:	E:\EWB-360\EWB-3612(E)\EWB-3612F.SchDocn By: Changxizheng	



COPYRIGHT 2008.Beijing Bocn Tech. CO., Ltd.

Title JN51XX + SHTXX		
Size A4	Number EWB-36X-V1-7	Revision
Date: 2009-7-14	Sheet7 of 7	
File: E:\EWB-360\EWB-3612(E)\EWB-3612G.SchDoc	Drawn By: Changxizheng	